

PFEIFER Nail Cap for Polyamide Sockets

Item-No. 05.174

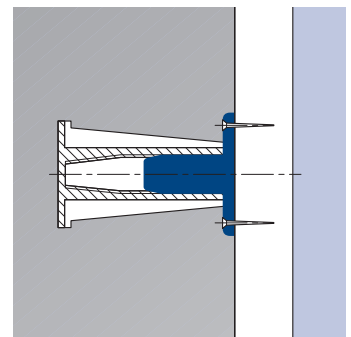
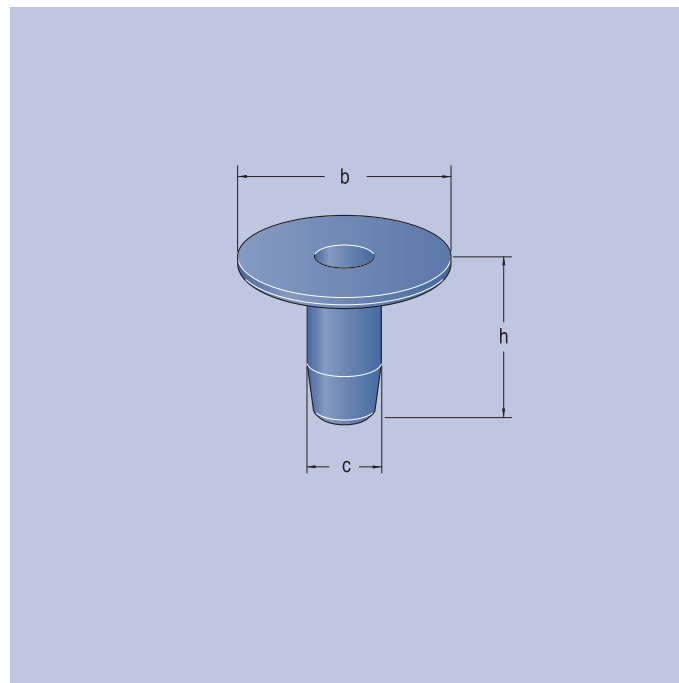


PFEIFER

Fixing System
Accessories

Nail Caps are employed to fasten Polyamide Sockets to wooden formwork.

Material:
Plastic



Ref. No.	for Polyamide Socket	Dimensions mm			Packing unit pieces	Weight approx. kg/packing unit
		b	c	h		
05.174.060	M 6	24	5,5	11	1000	0,9
05.174.080	M 8	26	6,8	14	1000	1,2
05.174.100	M 10	28	8,7	17	1000	1,4
05.174.120	M 12	30	10,3	20	500	0,8
05.174.140	M 14	32	12,0	23	500	1,0
05.174.160	M 16	36	14,0	26	500	1,2

Sample oder:
1000 PFEIFER Nail Caps for Polyamide Sockets M 6:
1000 PFEIFER Nail Caps ref. no. 05.174.060