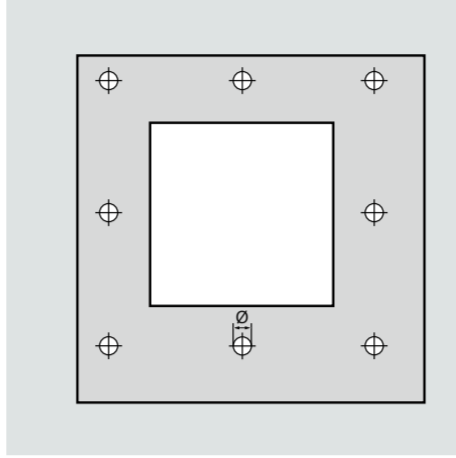
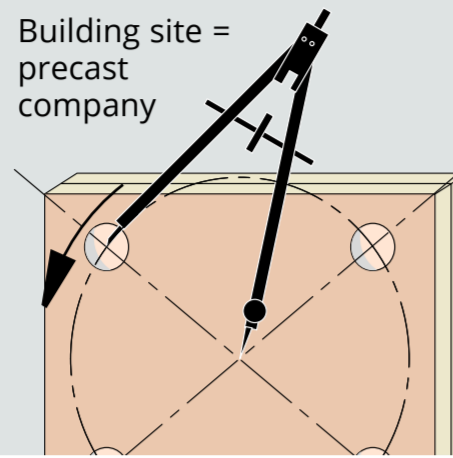


Installation of the column shoe at the precast company

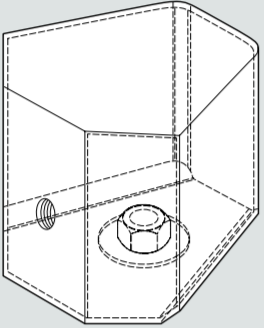
1) Template

Use a precisely fitting and dimensionally stable template. Correspondence to the foundation anchor template from the building site must be ensured.

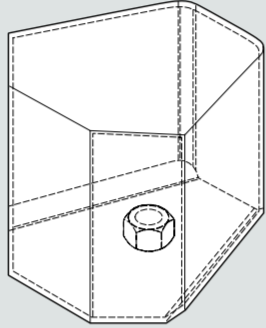


2) Moulding inserts and formwork fixing

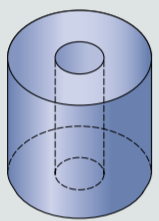
Rubber block



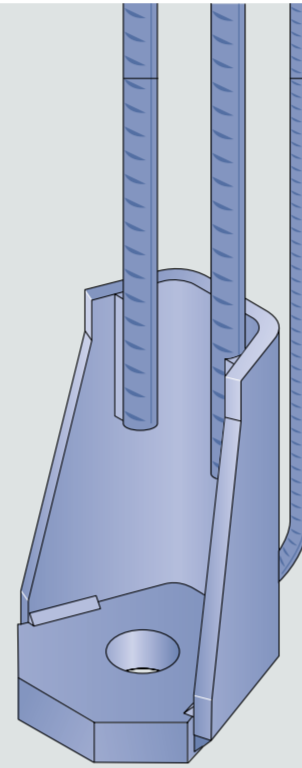
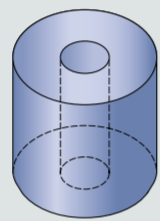
Sheet metal



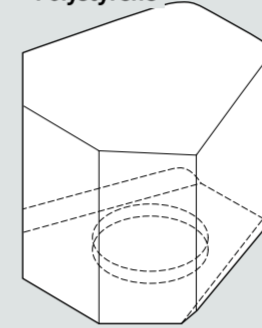
Positioning socket



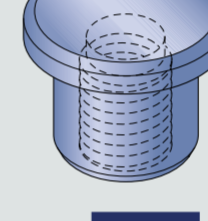
Positioning socket



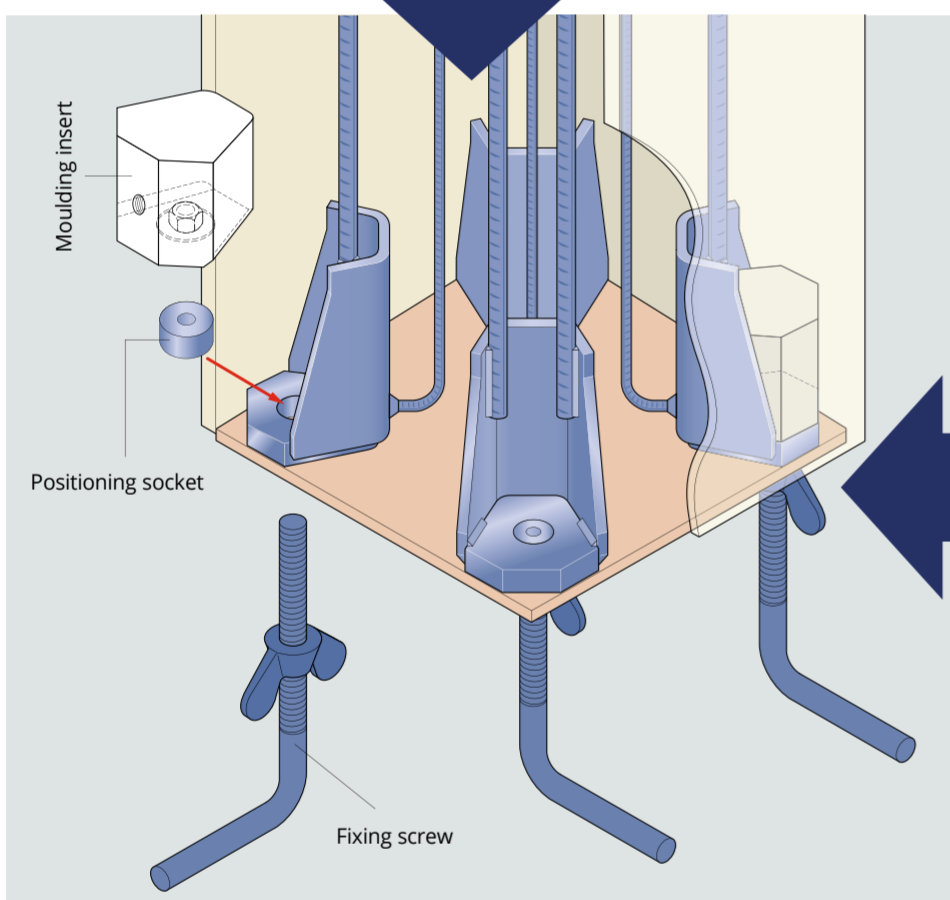
Styrofoam Polystyrene



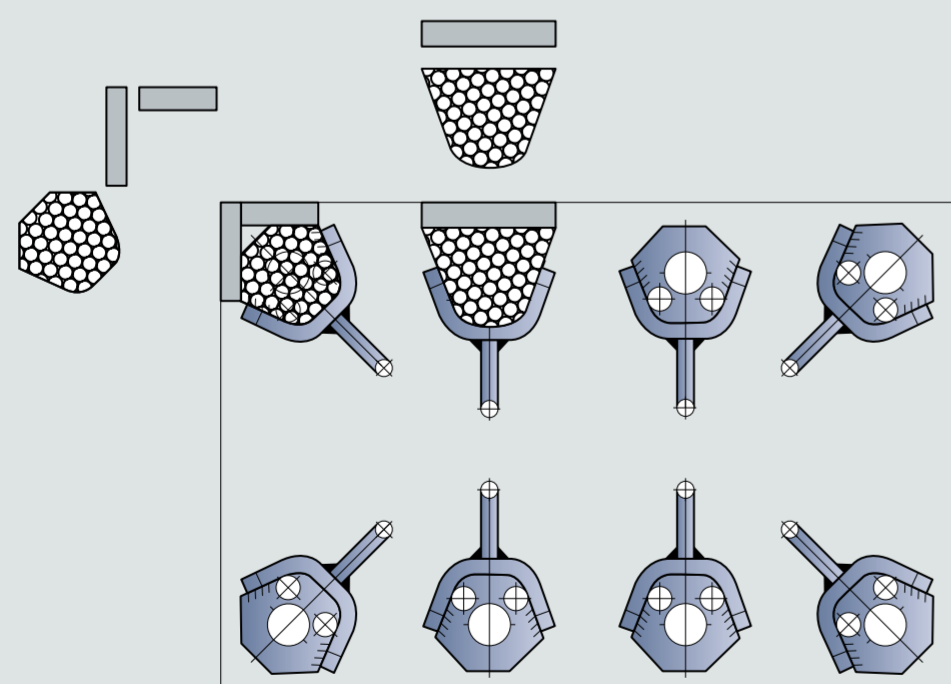
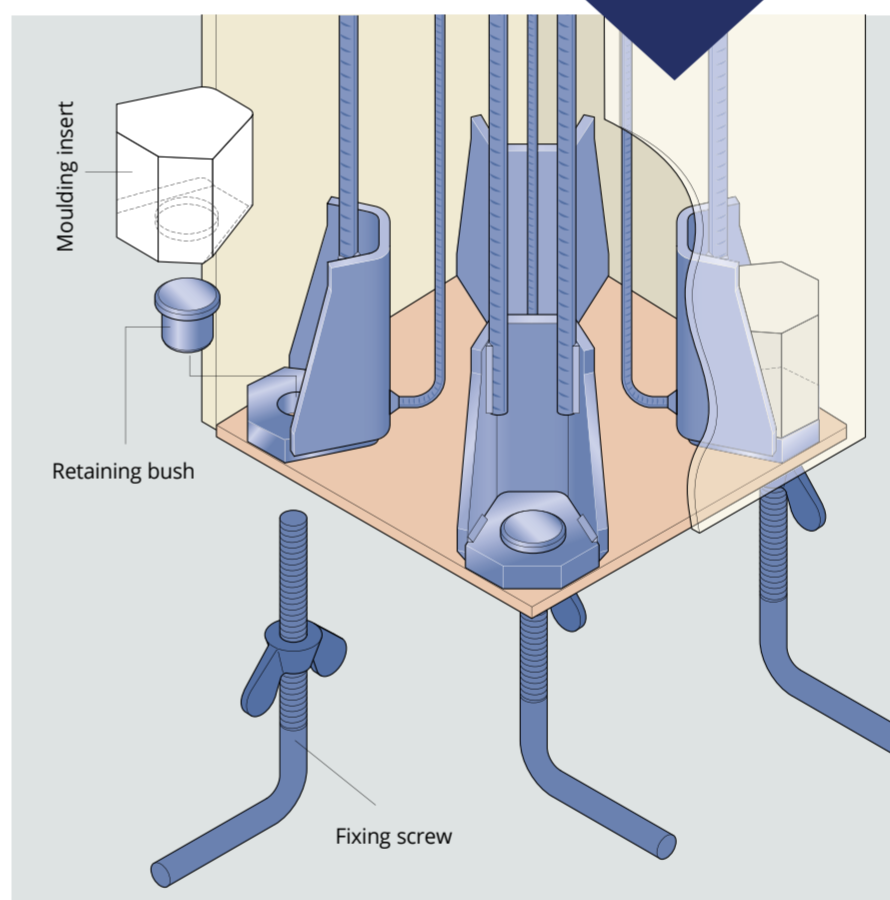
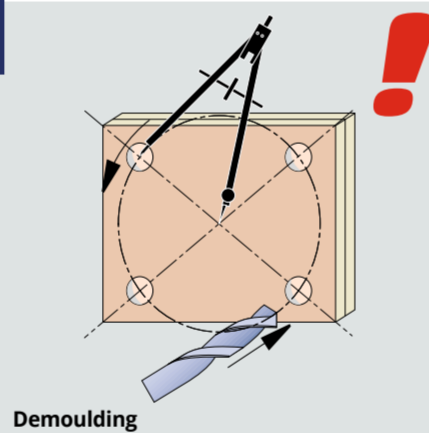
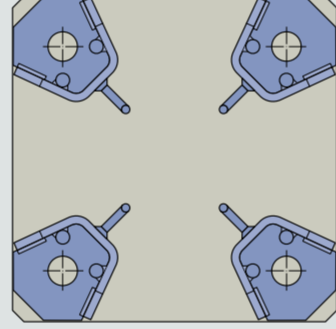
Retaining bush



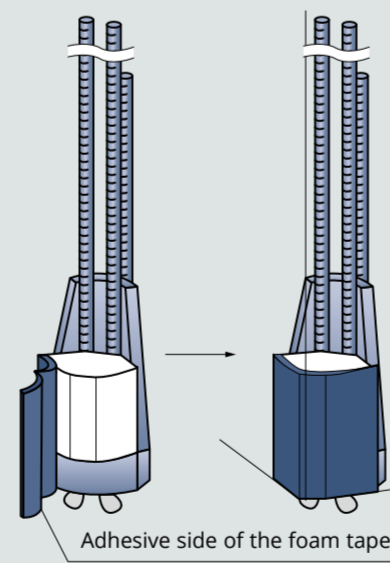
! In case of increased requirements for the concrete cover
 → column shoes „centered“
 → arrange additional shuttering boards/foam tapes etc. (sealing against concrete penetration)



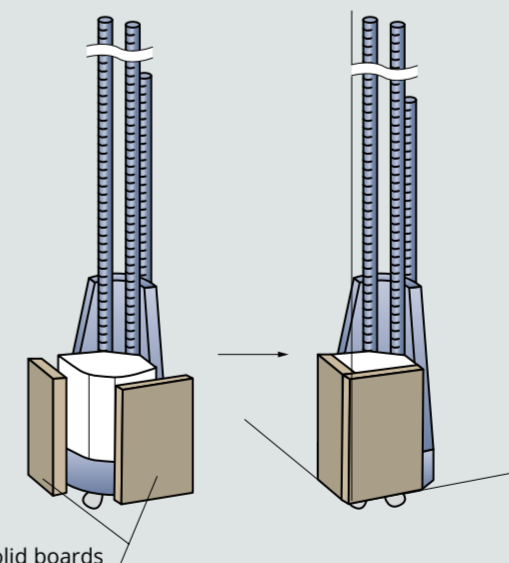
Layout specification



Self-adhesive foam tape to prevent the penetration of concrete



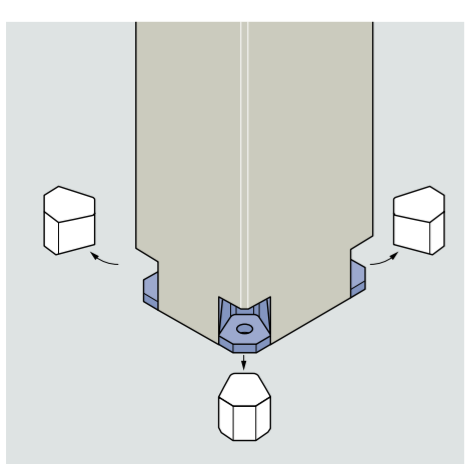
Wooden or plastic boards to prevent the penetration of concrete



Sealing of the moulding boxes with self-adhesive foam tape or solid boards.

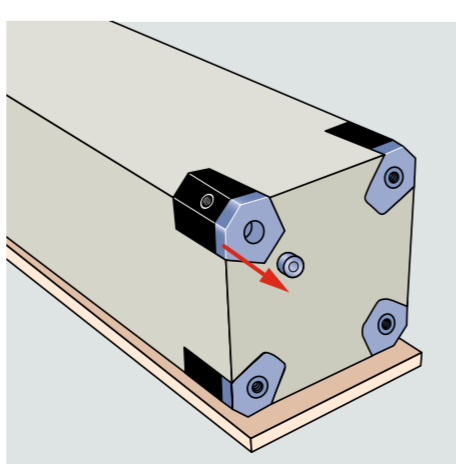
! Ensure exact vertical installation! Additional fastening of the column shoes to the reinforcement if necessary. Movements due to concreting and compaction must be prevented.

3) Removal of the moulding inserts

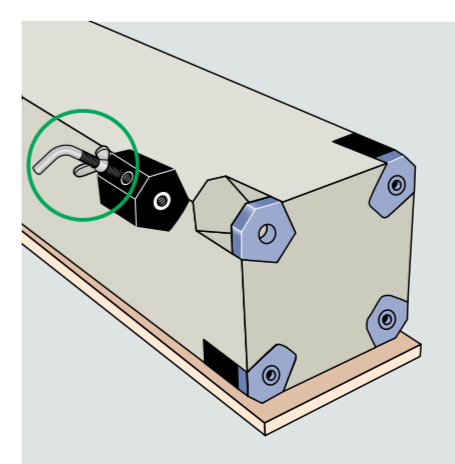
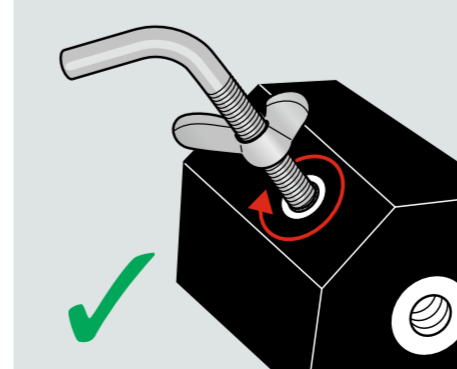


Polystyrene:
 Remove the insert with a screwdriver or a crowbar. Moulding inserts are intended for single use only.

Steel/rubber:
 Remove the insert by pulling on the fixing screw that was screwed in beforehand. No hammering or levering with tools, as the moulding inserts could be damaged. They are intended for multiple use.



Fixing screw



Impermissible tools

