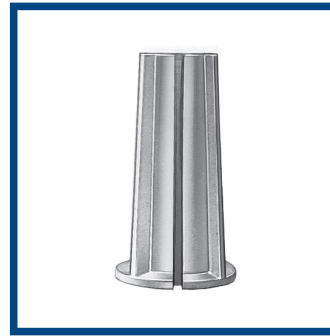


PFEIFER Polyamide Sockets

Item-No. 05.170

We recommend Polyamide Sockets only for fixings, for which a general technical approval is not necessary.



PFEIFER

Fixing System
Polyamide Sockets

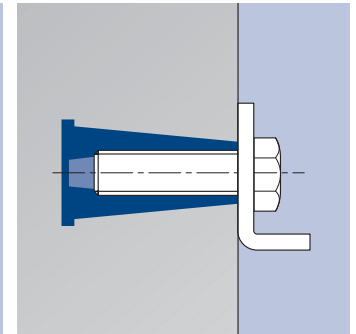
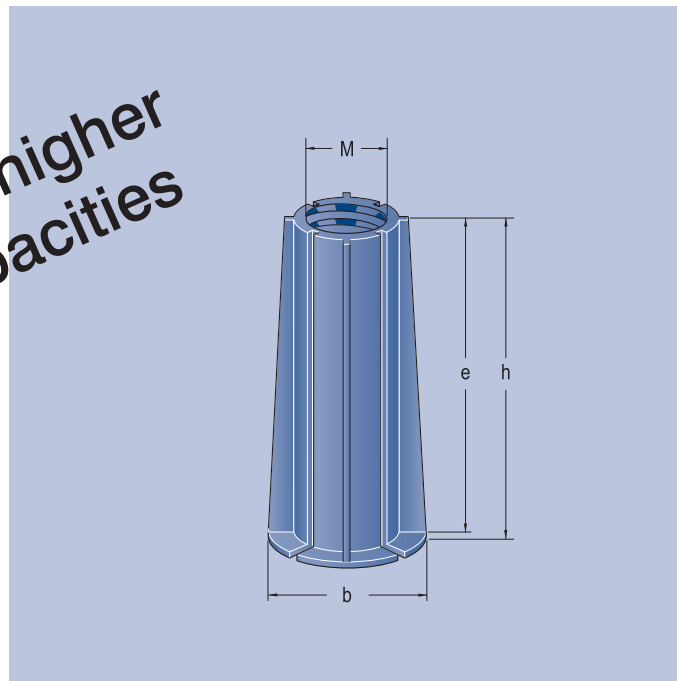
Polyamide Sockets are designed to offer a simple and cost effective method of fixing components to finished precast concrete units as an alternative to more time consuming post drilled fixings and cast in channel. The new Polyamide Sockets offer a secure and positive engagement through being completely encapsulated by concrete when in the desired position.

The Polyamide Sockets are protected against damage caused by heat, weather conditions (ultraviolet light) and hot water. PFEIFER Polyamide Sockets are resistant to neutral oils, fats, fuels and many types of different solvents.

The values are valid for concrete with a compressive strength of 25 N/mm².

Material: Ultramide

Now with higher load capacities



Ref. No.	admissible Force kN	Size M	Dimensions mm			Packing unit pieces	Weight approx. kg/100 pieces
			b	h	e		
05.170.060	1.0	M 6	14	23	22	1000	1.8
05.170.080	1.8	M 8	17	30	29	1000	3.3
05.170.100	3.5	M 10	24	37	36	1000	6.2
05.170.120	4.8	M 12	27	44	43	500	4.9
05.170.140	6.0	M 14	29	52	51	500	6.5
05.170.160	8.0	M 16	32	58	57	500	9.7

Sample order:
1000 PFEIFER Polyamide Sockets M 6:
1000 PFEIFER Polyamide Sockets ref. no. 05.170.060

Installation Instructions for PFEIFER Polyamide Sockets

1. Range of application

Can be used to fix gate posts, door and window frames, partitions etc.; or to secure pipes, support brackets, etc., and as window tie bar of HP shells and other shed roof structures.

By installing Polyamide Sockets in pre-determined positions additional holes for wall claws are unnecessary. It is easy to attach brackets to the Polyamide Sockets for the installation of pipes (water, heating and drainage pipes).

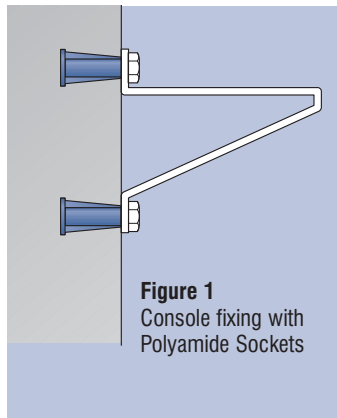


Figure 1
Console fixing with
Polyamide Sockets

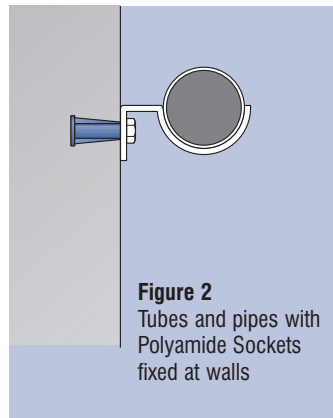


Figure 2
Tubes and pipes with
Polyamide Sockets
fixed at walls

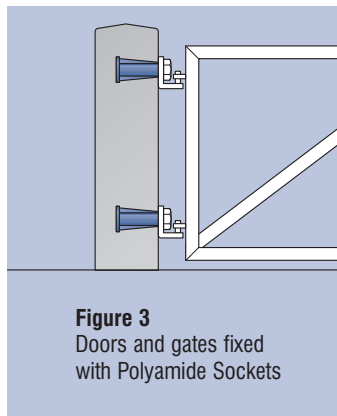


Figure 3
Doors and gates fixed
with Polyamide Sockets

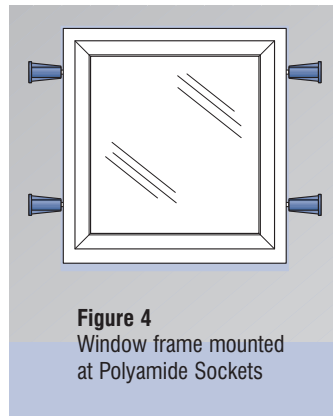


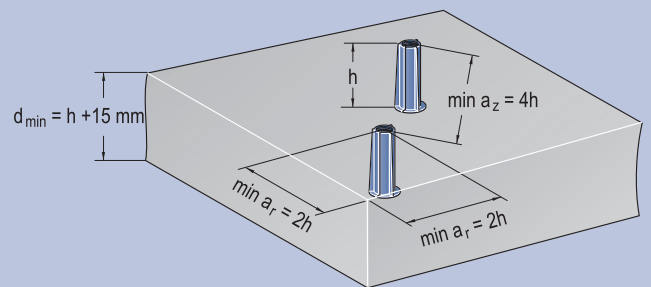
Figure 4
Window frame mounted
at Polyamide Sockets

2. Installation

The position of the sockets has to be marked on the formwork. The Polyamide Sockets are installed either by means of the fixing screw, ref. no. 05.206 or by the nail cap, ref. no. 05.174. It is also possible to use nails to fix it to wooden formwork. The thread is sealed off during assembly by a thread cap, ref. no. 05.176.

It is necessary to obtain the minimum distances between the sockets a_z , and the edge distances a_r . The minimum thickness of the panel must also be checked.

Figure 6



Warning:

The Polyamide Sockets can only be used with the full load capacity, if the bolts are screwed in with at minimum $\frac{3}{4}$ of the socket screw in depth.

Further more the Polyamide Sockets can not be used for applications with temperatures higher than 120°.